

ER10-1100

EFORT

ER10-1100,
Maxium payload 10 kg with maxium reach 1142 mm.

■ **Applications**

It can be used in handling operations(machine tending), sorting, assembling, grinding, polishing, Arc welding,etc.

■ **Industries**

Suitable for PCB, electronic manufacturing, plastic, metal parts and other industries.

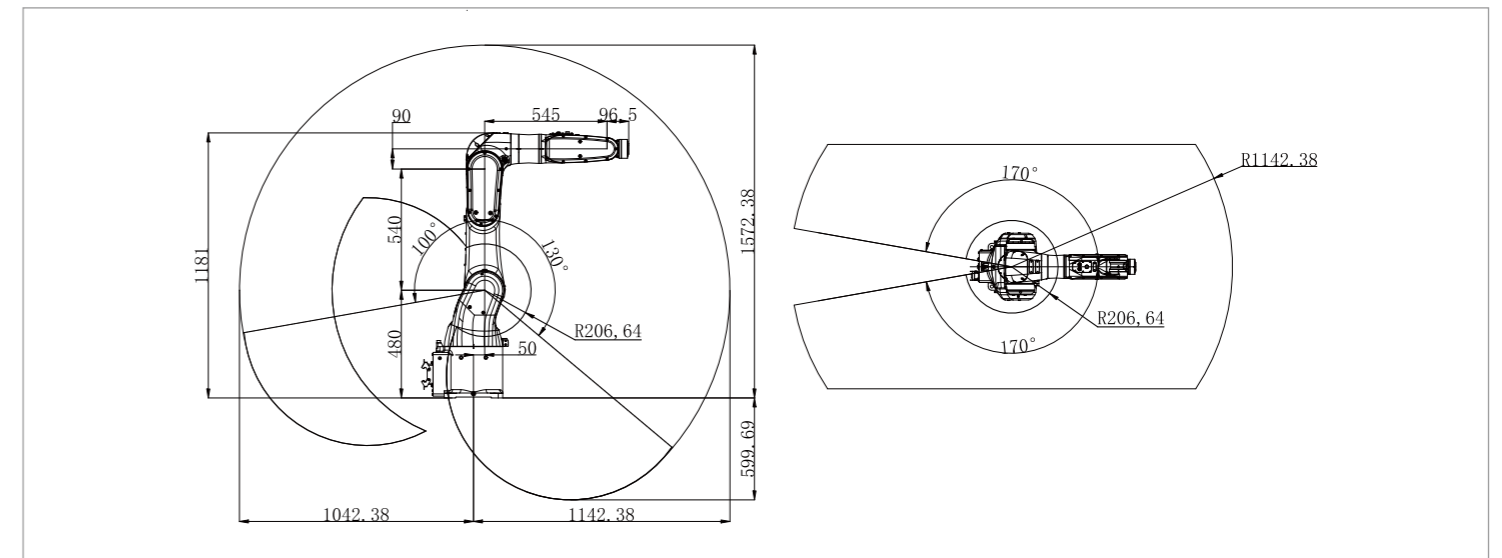


SPECIFICATIONS

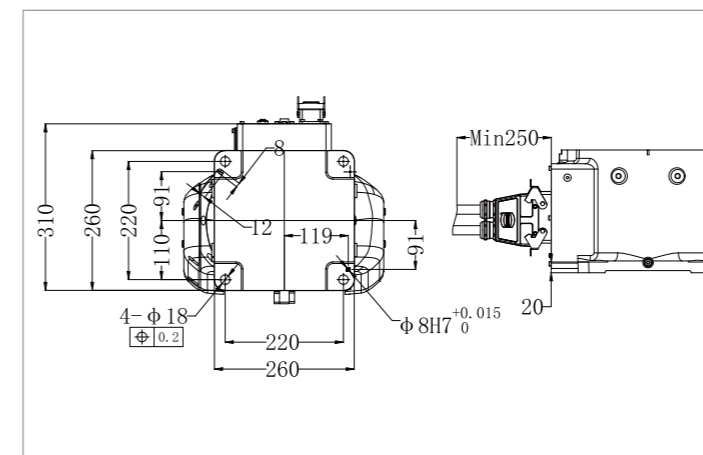
| | | |
|--------------------------------|-------------------------------|-----------------------------------|
| Model | ER10-1100 | |
| Type | Articulated | |
| Controlled axes | 6 Axes | |
| Max. payload on wrist | 10 kg | |
| Repeatability | ±0.025 mm | |
| Robot weight | 78 kg | |
| Reach | 1142 mm | |
| Robot IP grade | IP65 / IP67 (Wrist) | |
| Cabinet IP grade | IP20 / IP54 (Optional) | |
| Drive mode | AC servo drive | |
| Installation | Floor, Upside-down, Wall | |
| Installation enviroment | Ambient temperature | 0~45 °C |
| | Ambient humidity | RH≤80% (No dew nor frost allowed) |
| | Vibration acceleration | 4.9 m/s ² (<0.5 G) |

| | | |
|--|-----------|------------------------|
| Allowable load moment at wrist | J4 | 25 N·m |
| | J5 | 25 N·m |
| | J6 | 12 N·m |
| Allowable load inertia at wrist | J4 | 0.78 kg·m ² |
| | J5 | 0.78 kg·m ² |
| | J6 | 0.3 kg·m ² |
| Maximum speed | J1 | 230°/sec |
| | J2 | 225°/sec |
| | J3 | 330°/sec |
| | J4 | 500°/sec |
| | J5 | 420°/sec |
| | J6 | 720°/sec |
| Motion range | J1 | ±170° |
| | J2 | +100°-130° |
| | J3 | +193°-75° |
| | J4 | ±190° |
| | J5 | ±120° |
| | J6 | ±360° |

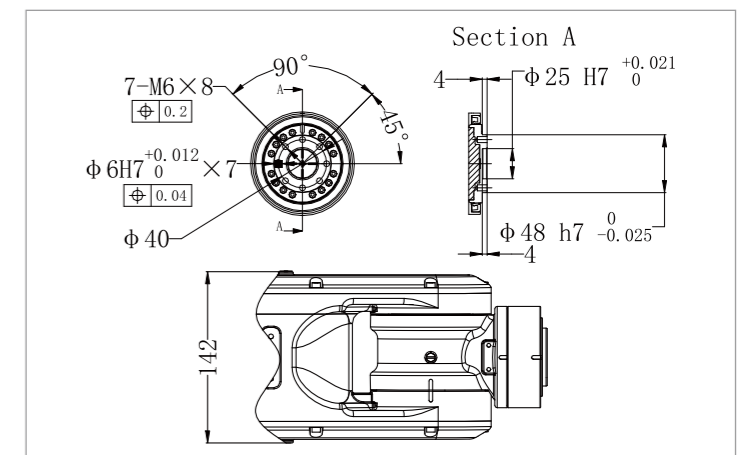
OPERATING SPACE



BASE MOUNTING SIZE



END FLANGE MOUNTING SIZE



EFORT Intelligent Equipment Co., Ltd.
PHONE: (00 86) 400-052-8877
ADDRESS: No.96 East Wanchun Road, China(Anhui) Pilot Free Trade Zone Wuhu Area, Wuhu, Anhui Province, China
WWW.EFORT.COM.CN